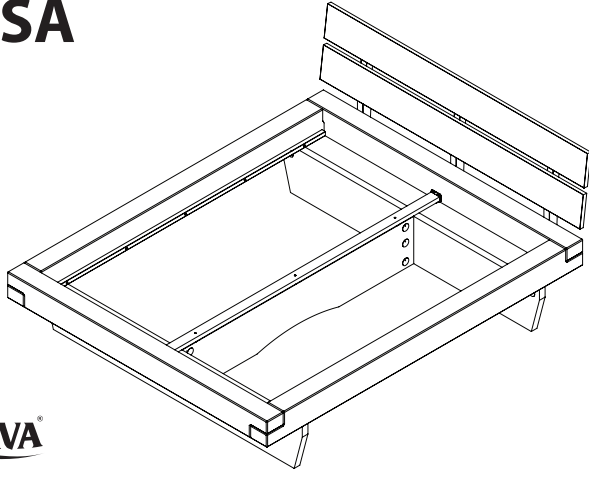
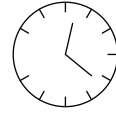


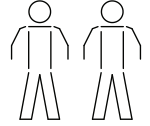
# ELISA



**MRAVA**



15 - 30 min.



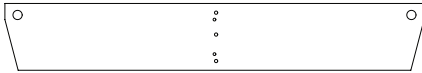
○ 6mm



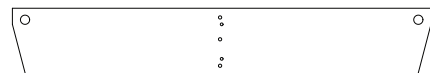
Ⓜ



(A) 1x



(B) 1x



(C) 1x



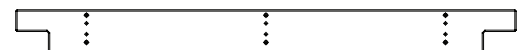
(D) 2x



(E) 1x



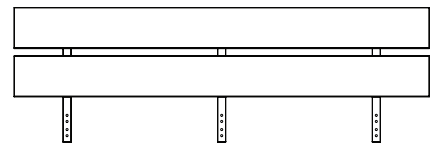
(F) 1x



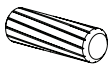
(G) 1x



(H) 1x

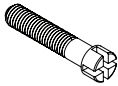


(1) 12x



12x40mm

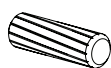
(2) 10x



(3) 10x



(4) 6x

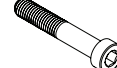


10x40mm

(5) 6x

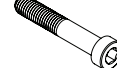


(6) 3x



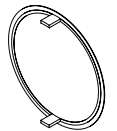
8x60mm

(7) 3x

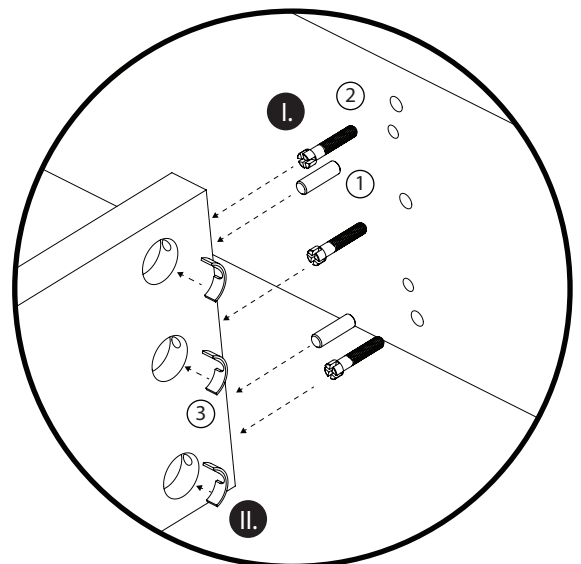
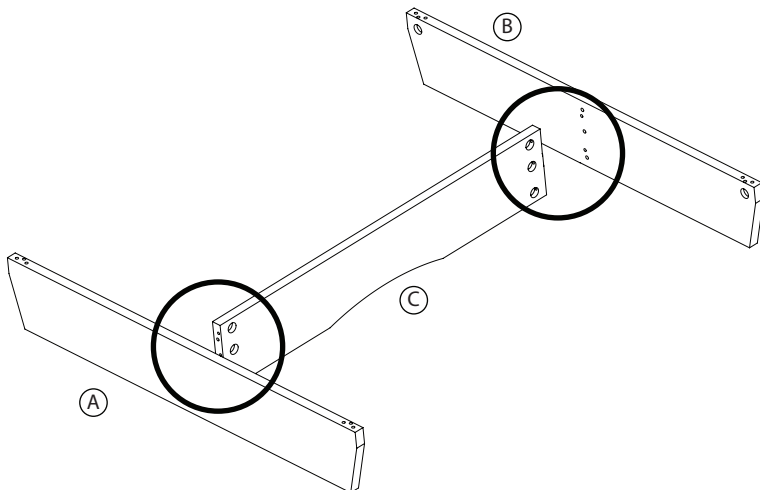


8x70mm

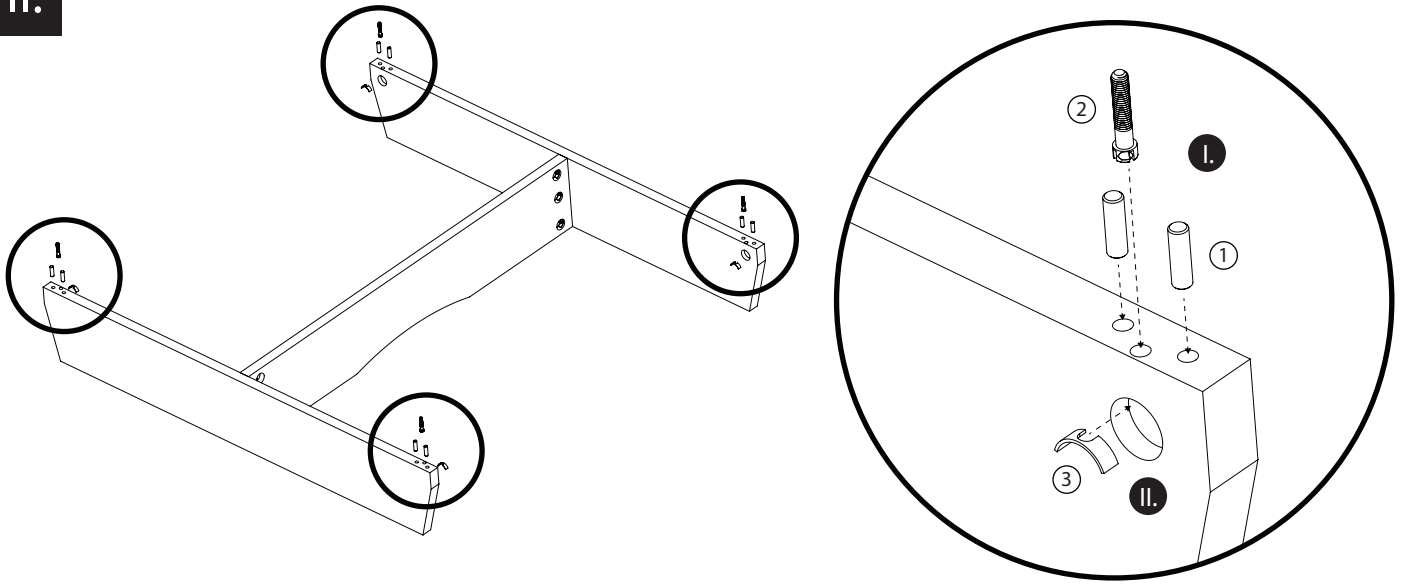
(8) 10x



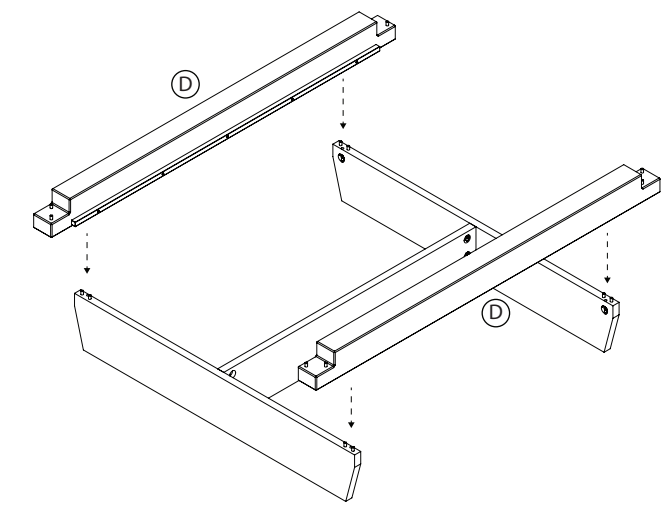
I.



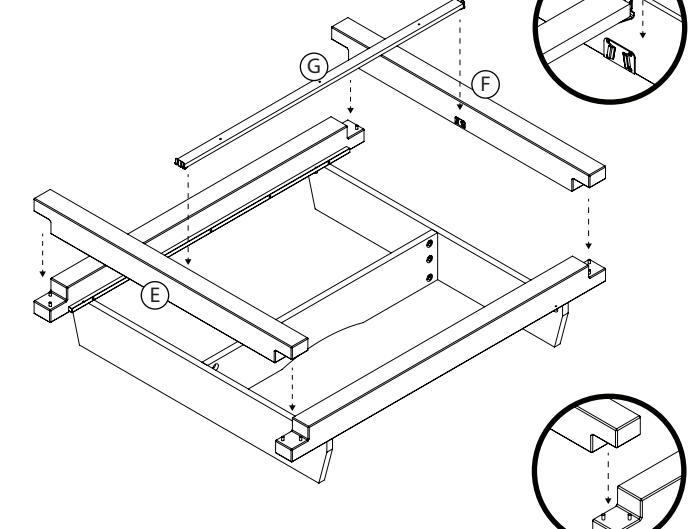
II.



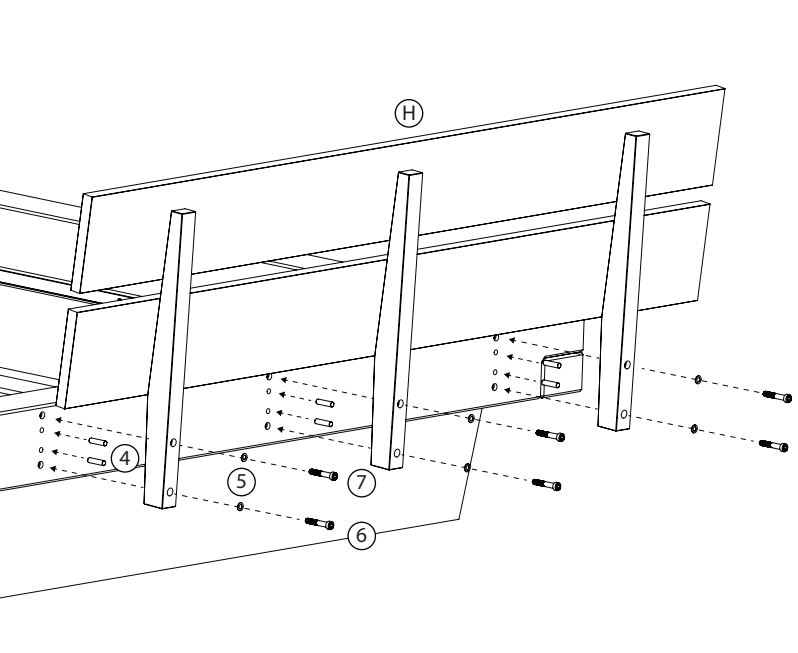
III.



IV.



V.



VI.

